



110V / 230V ELECTRICAL AIR HEATER

E-AIRTRONIC EHV1 230V / E-AIRTRONIC EHV1 110V

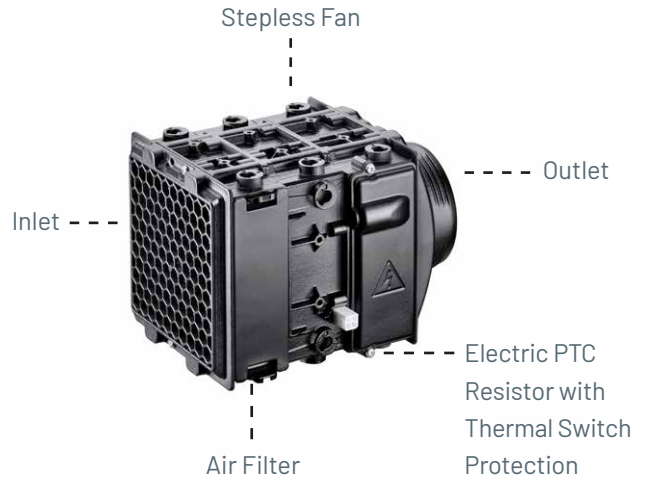
The new electric air heater E-Airtronic operates with 110V or 230V and a heat performance of 1 kW. It ensures comfortable temperatures in the interior of electric and hybrid vehicles. For internal combustion engine vehicles and caravans/ trailers it can also be operated in stationary usage via landline. The small air heater can be installed very easily wherever heat is required.

PRODUCT BENEFITS:

- 110V / 230V electrical heater with 1 kW heat performance
- Very small dimensions
- Simple installation wherever heat is required
- 12V stepless & brushless fan
- Very silent operation with variable speed
- Integrated noiseless relay for PTC stages
- Removable filter
- Variable installation options within the vehicle
- Can be fitted with a grid or duct connection
- Coolant heating can be integrated additionally

OTHER FEATURES :

- Controllable via KANBOX and touchscreen or via manual control unit

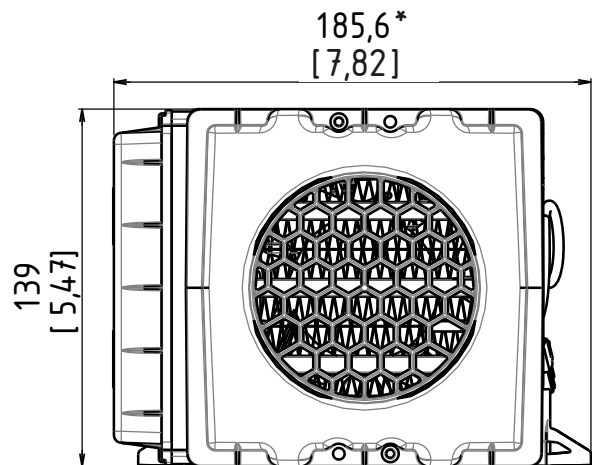
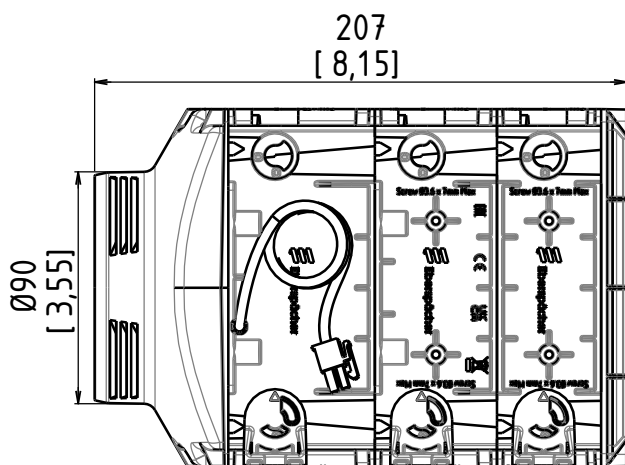


SEGMENTS:



TECHNICAL DATA:

E-AIRTRONIC 1		E-AIRTRONIC EHV1 230V	E-AIRTRONIC EHV1 110V
Voltage (PTC)	V	230 V AC / 50 Hz	110 V AC / 50-60 Hz
Voltage (Fan)	V		12 V DC
Heating performance	W		900 W ±10%
Weight	kg		1.45
Current max. (heating/PTC)	A	4.5	9
Dimensions (L x B x H)	mm [inch]	207 x 185.6 x 139	207 x 198.5 x 139 [8.15 x 7.31 x 5.47]
Control unit		Control via KANBOX (with customer touch screen) or manual control panel (as optional accessory)	
Part number E-AIRTRONIC		8300120420010	8300120420040
Part number KANBOX Lin		8300600100330	
Part number Manual control panel		8300340158090	8300340158140



*230V - 185.6mm, 110V - 198.5mm