

Integrated Deutsch/Amphenol Output Connectors (Harsh Environment Industry Standard)

250 Amp Total Output Current

Integral 250 Amp Ground Return Bus

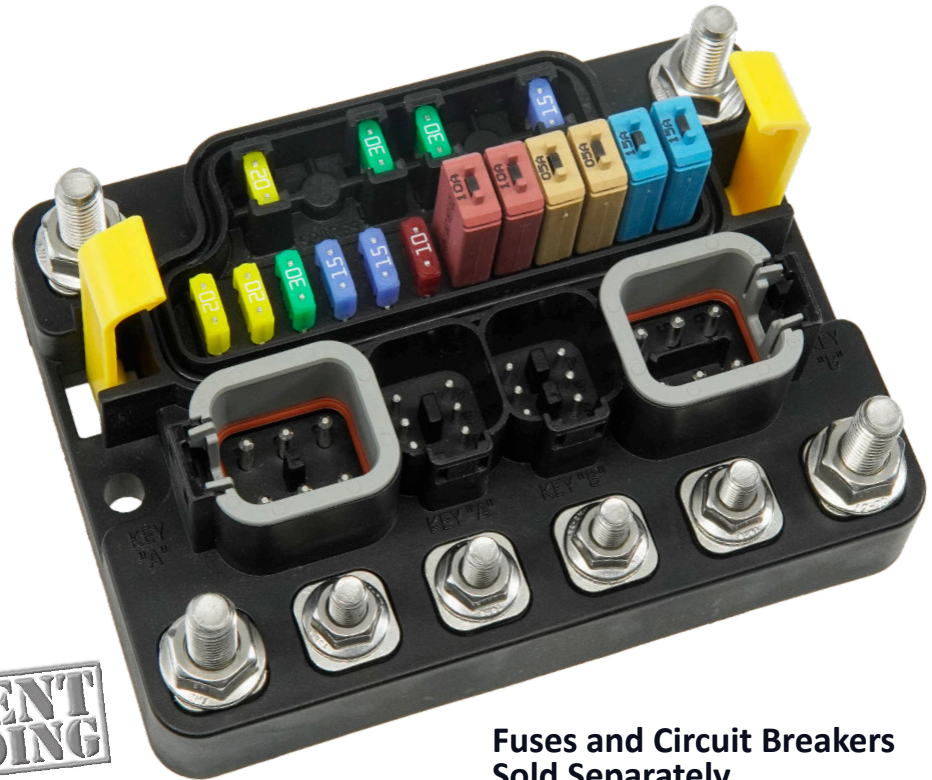
Sealed to IP66 & IP6K9K

Supports ATM/MINI Fuses and Type 1 or Type 3 Circuit Breakers

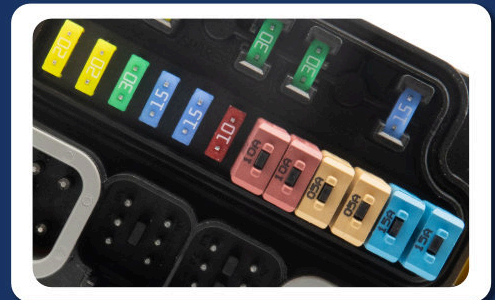
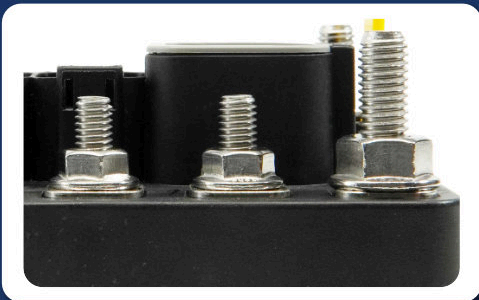


- Covers Included

**PATENT PENDING**



Fuses and Circuit Breakers Sold Separately



Extensive Set of Kits & Accessories For Plug & Play Install and Complete Switching/Protection Solutions.



8793B Triple Link Busbar



8793B Quad Link Busbar



8790B Dual Link Busbar



**Protects Electrical Circuits** from short circuits and overload events



**Simple & Robust Installation:** Integrated Deutsch connectors protects wire connections from moisture and corrosion, plug-in termination eliminates screw terminal assembly errors



**Protects Add-On Circuits** from accidental short circuits to frame ground or battery negative, or from overload events.

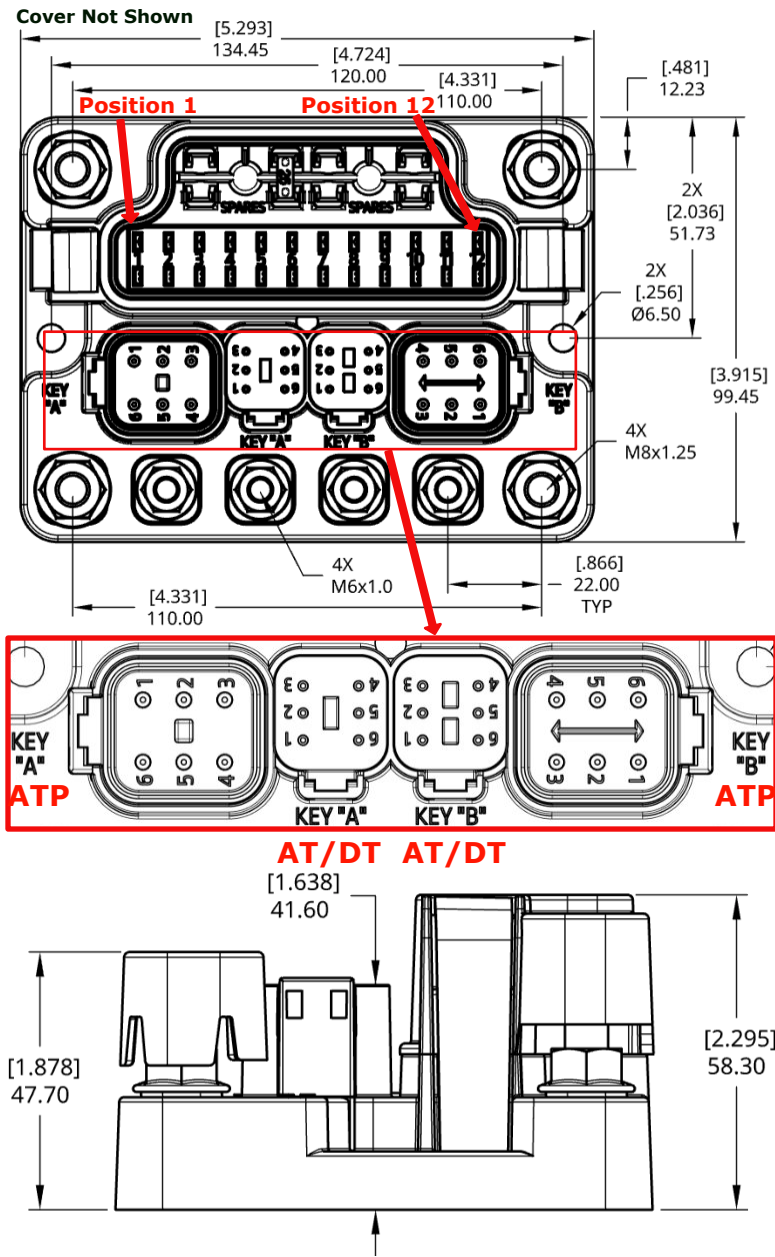


**Bullet-proof Construction:** High temp materials, Gore-Tex pressure regulating vent, and stainless steel self-locking hardware allow mounting anywhere.



**5 Year Industry Leading Warranty**

# Product Dimensions



Fuse to Connector Map	Conn	Pin #
Fuse/Breaker Position #1	ATP-"A"	1
Fuse/Breaker Position #2	ATP-"A"	2
Fuse/Breaker Position #3	ATP-"A"	3
Fuse/Breaker Position #4	AT-"A"	2
Fuse/Breaker Position #5	AT-"A"	3
Fuse/Breaker Position #6	AT-"A"	4
Fuse/Breaker Position #7	AT-"B"	2
Fuse/Breaker Position #8	AT-"B"	3
Fuse/Breaker Position #9	AT-"B"	4
Fuse/Breaker Position #10	ATP-"B"	4
Fuse/Breaker Position #11	ATP-"B"	5
Fuse/Breaker Position #12	ATP-"B"	6

\* All Remaining Connector Pins Are Connected to Negative Bus Bar

# Specifications

Max Total Continuous Fuse/Breaker Current	250 Amps Each
Max ATM/MINI Fuse / Breaker Value	30 Amps
Maximum Power I/O Cable Size	4/0 AWG
Maximum Ground I/O Cable Size	2/0 AWG
Operating Temperature Range	-55 to 125 C
Max ATP Continuous Current Per Pin	25 Amps
Max AT Continuous Current Per Pin	15 Amps
Wire Range for ATP Outputs	14 - 10 AWG
Wire Range for AT/DT Outputs	20 - 14 AWG
Ignition Protected	Yes, Per SAE J1171
Ingress Protection Rating	IP66 & IP6K9K
Max Vibration Withstand	20g (10-2000 Hz)
Max Shock Withstand	50 g
Hardware Material	Stainless Steel Self-Locking
M6 Terminal Stud Target/Max Torque	80 in-lbs/110 in-lbs
M8 Terminal Stud Target/Max Torque	100 in-lbs/120 in-lbs
Fastener Size for Mounting Holes	M6 or ¼"
Mounting Fastener Maximum Torque	80 in-lbs
Required Harness Mating Connector for Integrated ATP Pin Receptacles	Amphenol PN: ATP06-6S
Required Harness Mating Connector for Integrated AT/DT Pin Receptacles	Amphenol PN: AT06-6S (recommended) or TE PN: DT06-6S
Required Harness Mating Connector Wedglock for ATP - Key "A"	Amphenol PN: AWP-6SA
Required Harness Mating Connector Wedglock for ATP - Key "B"	Amphenol PN: AWP-6SB
Required Harness Mating Connector Wedglock for AT/DT - Key "A"	Amphenol PN: AW6S (recommended) or TE PN: W6S or W6S-P012
Required Harness Mating Connector Wedglock for AT/DT - Key "B"	Amphenol PN: AW6S-2BLU (recommended) or W6S2-P012
Required Mating Harness Wire Terminal Socket for ATP Connector	Amphenol AT62 Size 12 (recommended) or TE Series 62 Size 12
Required Mating Harness Wire Terminal Socket for AT/DT Connector	Amphenol AT62 Size 16 (recommended) or TE Series 62 Size 16
Max Total and/or Pass-Through Current for Expansion, also Max Ground Busbar Total Current	500 Amps

\* DISCONNECT BATTERY FROM POWER DISTRIBUTION SYSTEM BEFORE INSTALLING PRODUCT TO PREVENT ELECTRICAL SHOCK OR PRODUCT DAMAGE

Part Numbers	Bulk Pack Part Number
Sealed ATM Block 12 Circuit	3412B
Sealed Split Input ATM Block 6+6 Circuits	3466B
Sealed Split Input ATM Block 9+3 Circuits	3493B
Sealed Split Input ATM Block 3+9 Circuits	3439B
2 Hole Straight Link Busbar	8790B
3 Hole L Shaped Link Busbar	8793B
4 Hole Quad Link Busbar	8794B

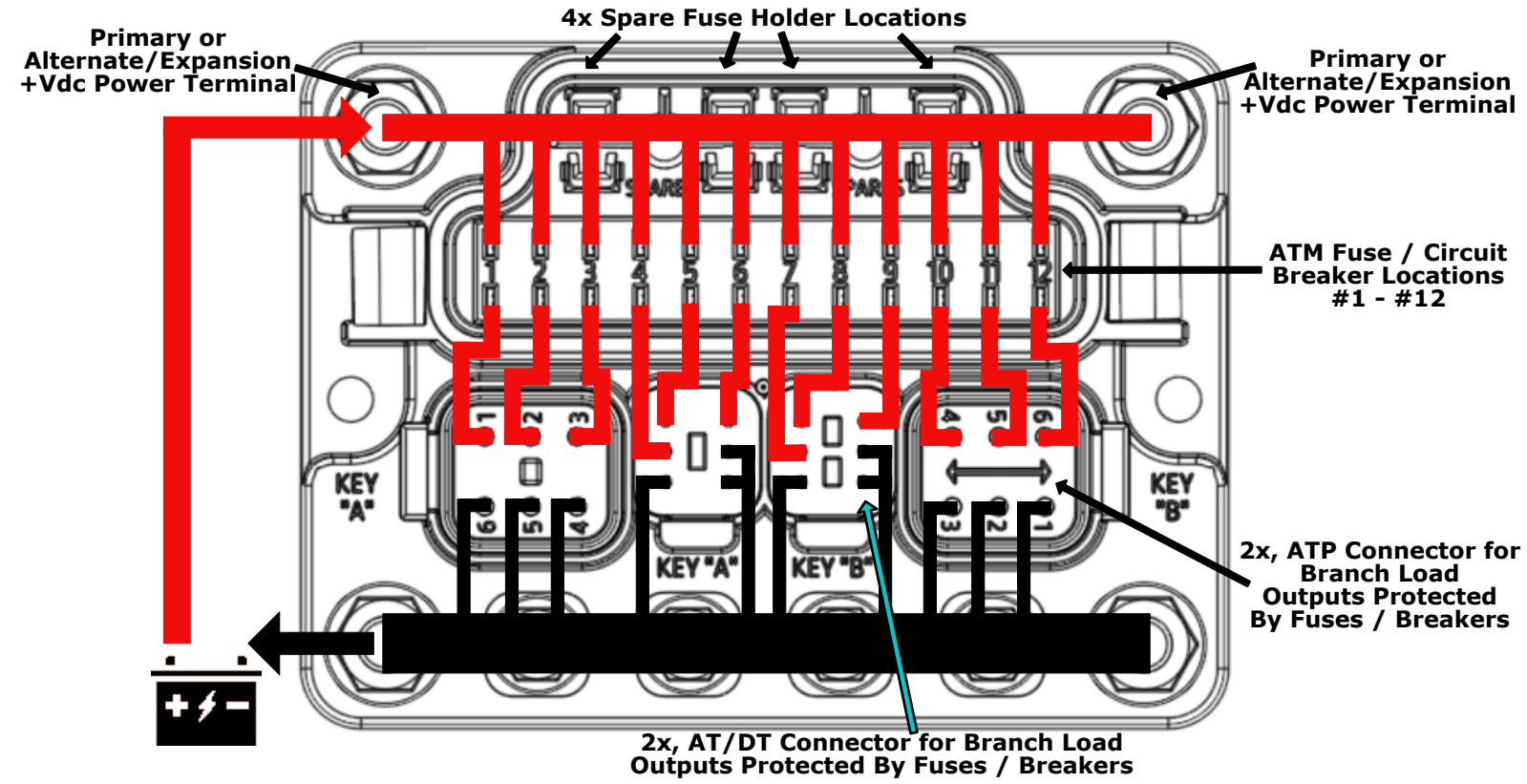
\* Custom product configurations available including stud sizes, and control harness wires. Low minimum quantities and short lead time for samples or production. Contact us at support@egismobile.com for more information



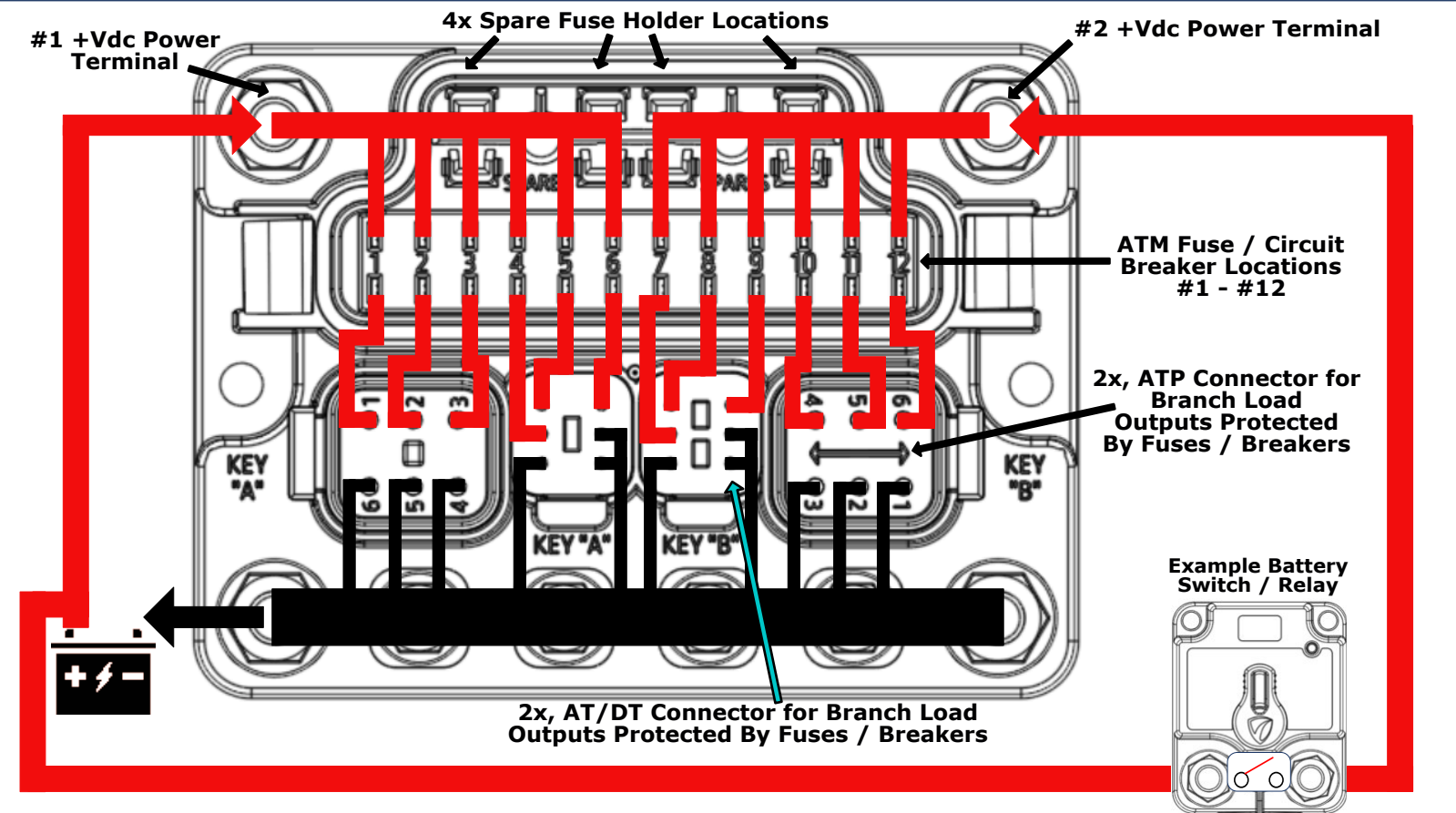
www.egismobile.com  
360.768.1211  
Bellingham, WA U.S.A



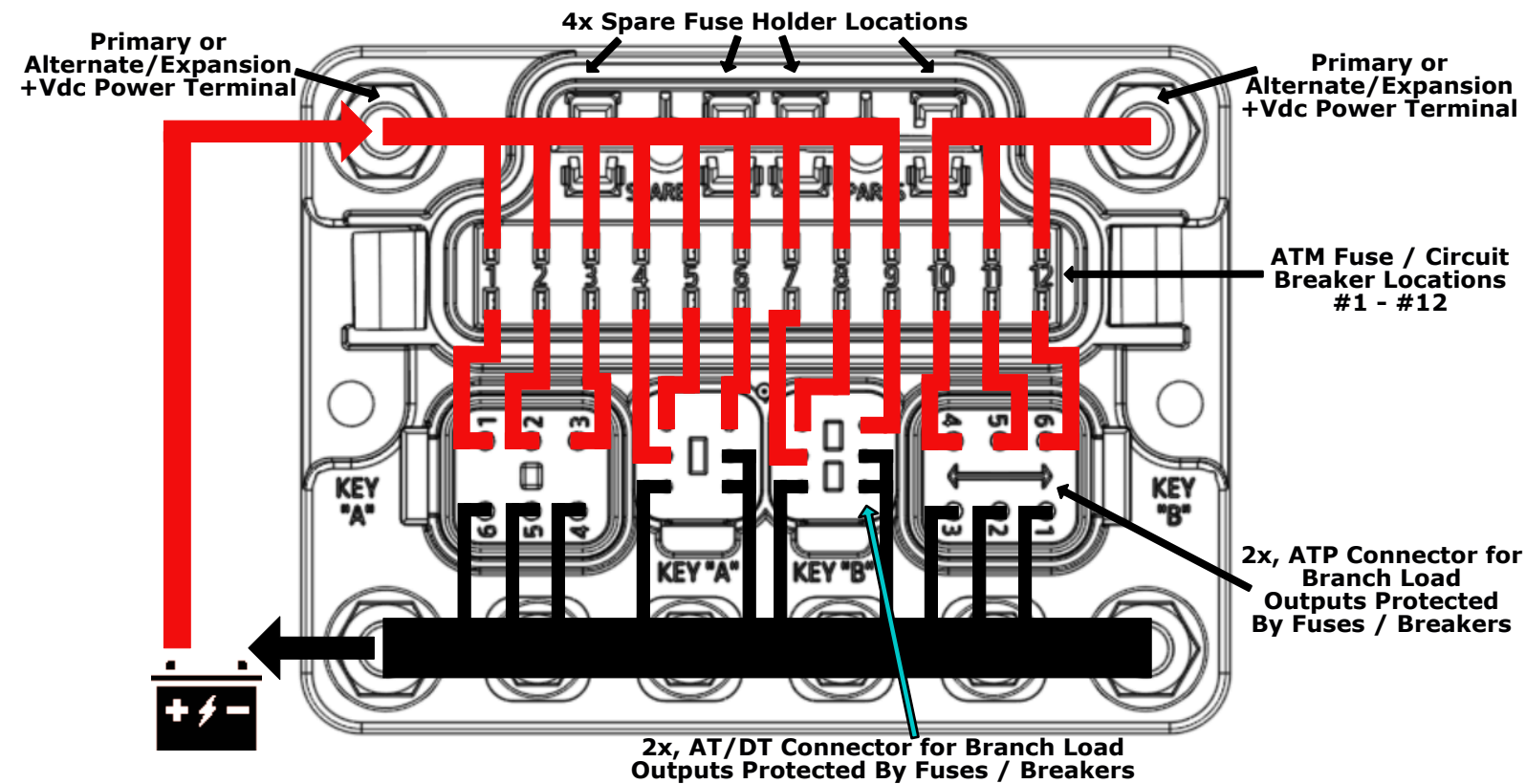
**Fig 1 - Internal and Typical External Connections - Sealed ATM Block - Single Input w/Expansion Stud**



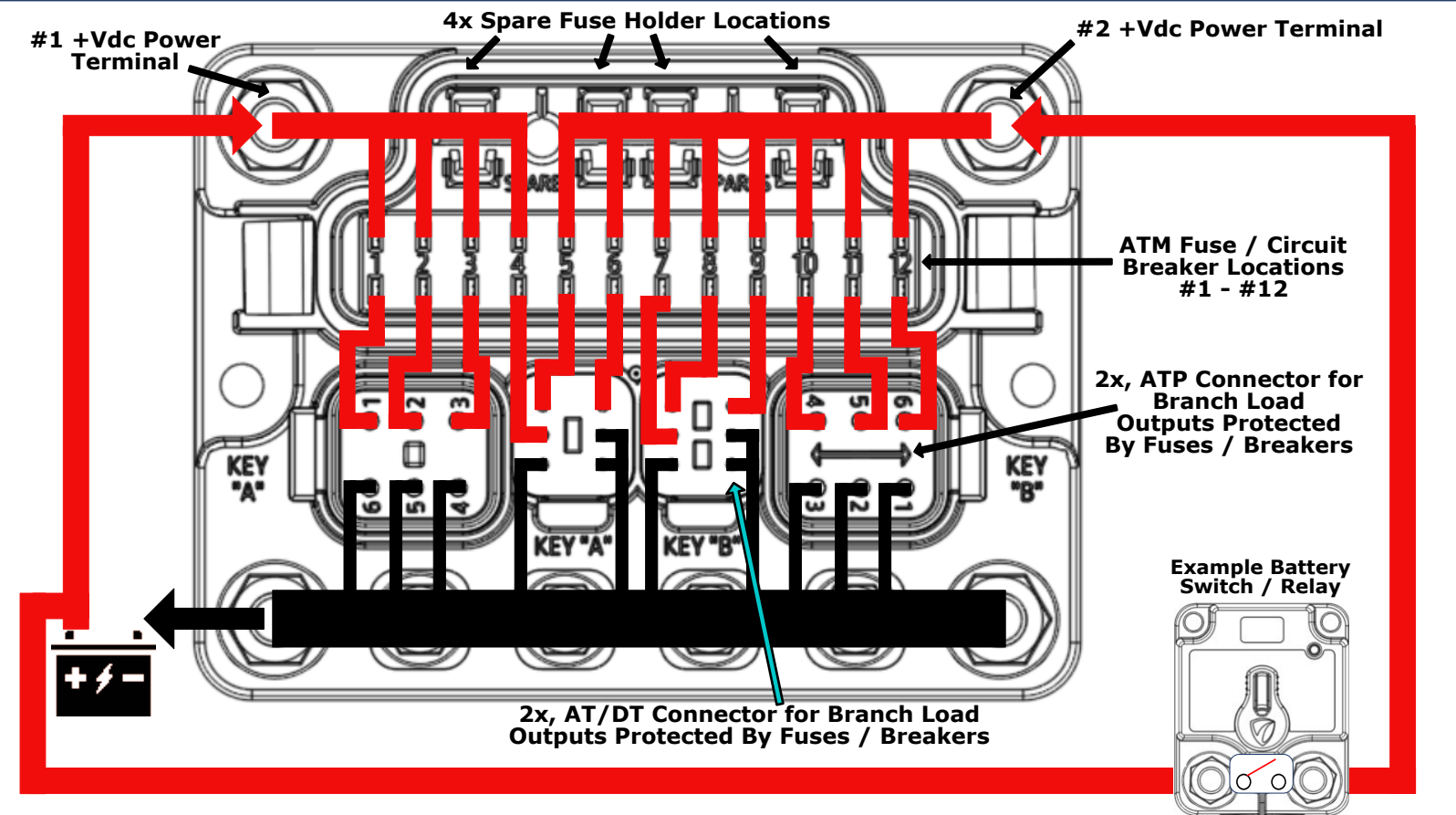
**Fig 2 - Internal and Typ External Connections - PN 3466B - Sealed Split Input ATM Block 6 + 6 Circuits**



**Fig 3 - Internal and Typ External Connections - PN 3493B - Sealed Split Input ATM Block 9 + 3 Circuits**



**Fig 4 - Internal and Typ External Connections - PN 3439B - Sealed Split Input ATM Block 3 + 9 Circuits**



**Example System Configurations with Associated Products**

